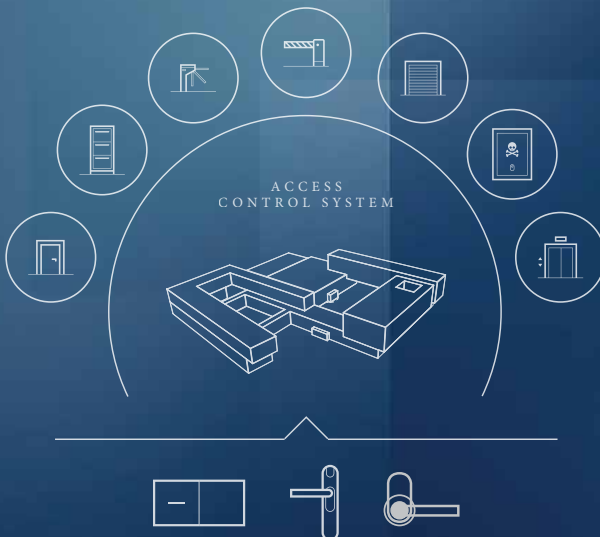


Simons  Voss
technologies

SmartIntego Integrated Access Control

Overview



SMARTINTEGO. MORE THAN YOU EXPECT.

Access control with SmartIntego integrates the distinctive advantages of digital locking into complex building management systems.

// State of the art

Integration of electronic instead of mechanical access control in existing building systems, based on flexible interfaces, high-performance protocols and open system design.

// Use of existing IT infrastructure

SmartIntego can be integrated into varying IT infrastructures via the existing user interfaces, cost effectively and without the added complication of connecting through additional databases or software.

// Simple, cable-free installation

Cables do not need to be installed or connected. Standard batteries ensure that cylinders and handles do not depend on an external power supply.

// Extremely long battery life

In online mode, the battery cells can manage up to 80,000 activations while the average battery life in standby mode is five years.

// Maximum security

Events are logged to a record which users can gain access to at any time. Lost SmartCards are instantly blocked and unauthorised key copying is eliminated (3D printing).

// Exceptionally flexible without limitations

There are simple processes thanks to interfaces between departments and access system management. Enjoy trouble free handling of modifications for the organisation and to rooms where employees change on a frequent basis. SmartCards can be issued with limited validity for users, such as visitors or maintenance staff.

// Low costs for administration and training

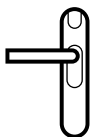
Intuitive operation using existing software ensures that the time and expense for administration and training are kept to a minimum.

SMARTINTEGO COMPONENTS

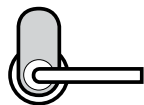
The components can be easily integrated into multifaceted security systems.



SmartIntego GatewayNode



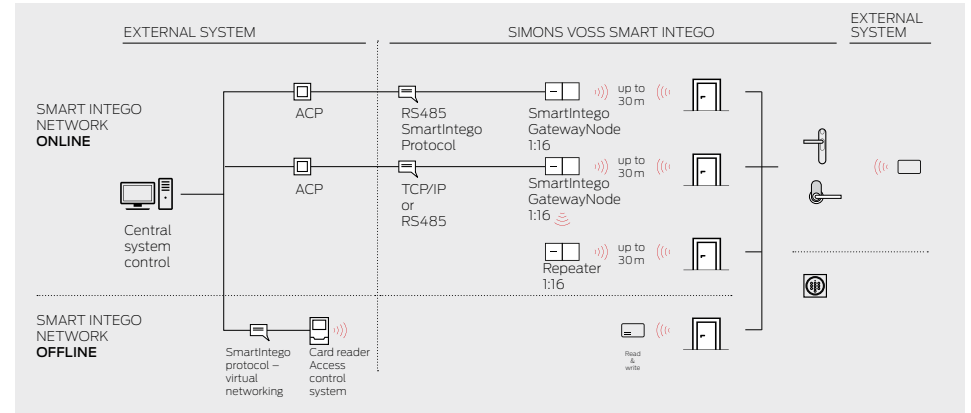
SmartIntego SmartHandle



SmartIntego SmartHandle AX

SMARTINTEGO NETWORK STRUCTURE

Always fits wherever required. SmartIntego offers maximum flexibility and future-proof design for the network connection.



EIGHT COMPELLING REASONS TO CHOOSE SMARTINTEGO

- 01 Components successful worldwide
- 02 Supports all major card formats
- 03 Made in Germany
- 04 Minimal effort involved for integration
- 05 Optimally networked at all times
- 06 Unique wireless technology
- 07 Flawless performance
- 08 Perfect in form to the very last detail

INDUSTRY SOLUTIONS

Aged care, education, government, retail, commercial, infrastructure, healthcare, and more.



Distributed by API Access & Security
Phone 131 539
Email api.service@allegion.com



© 2020 Allegion